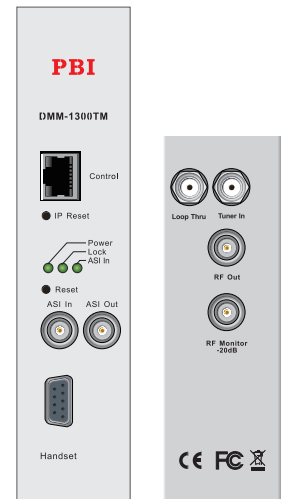


## DMM-1300TM Series Single Channel Transmodulator module

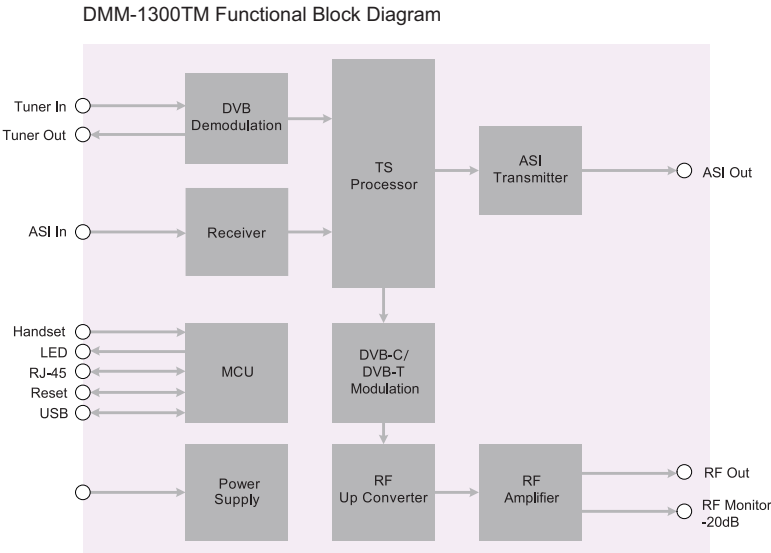
- DVB-S2/S, DVB-C or DVB-T Tuner Input
- ASI input and output
- Flexible re-multiplexing between ASI and Tuner inputs
- Service Drop or PID filtering and Re-mapping
- PSI/SI adapting and re-generation, including NIT insertion, LCN insertion etc.
- Remote Control and Supervision by SNMP, HTTP WEB and Proprietary HDMS software
- On Site software update through IP
- RSSI, received Eb/No & BER monitoring



### Specification

<b>Tuner Input</b>		<b>Package Length</b>	
<b>DVB-S/S2 Tuner Input</b>		188 or 204 Bytes	
Connector Type	1×F type female 75Ω for Input, 1×F type female 75Ω for loop through output	<b>TS Processing</b>	
Input Frequency Range	950~2150MHz	TS Input Management	
Input Level	-25~-65dBm	Remux and demux between Tuner and ASI Inputs	
Symbol Rate	DVB-S QPSK: 5~45MS/s; DVB-S2 8PSK 10~31MS/s	Service and PID management	
Roll-off Factor	DVB-S QPSK: 0.35; DVB-S2 8PSK: 0.35, 0.25, 0.2	Remux, filtering and remapping	
Punctured Rates	DVB-S2 8PSK: 2/3, 3/4, 3/5, 5/6, 8/9, 9/10 DVB-S QPSK: 1/2, 2/3, 3/4, 5/6, 6/7, 7/8	PSI/SI	
LNB Polarization	0, 13V, 18V selectable	PSI/SI table regeneration, NIT and SDT edition, LCN Edition and Re-generation	
LNB Band Switching Tone	0/22KHz selectable	<b>ASI Output</b>	
<b>DVB-C Tuner Input</b>		Connector Type	
Connector Type	1×F type female 75Ω for Input, 1×F type female 75Ω for loop through output	1×BNC Female, 75Ω	
Input Frequency Range	48~860MHz	Standard	
Symbol Rate	1~7MS/s (ITU J.83 Annex A)	DVB-ASI, EN50083-9	
Constellation	64/128/256 QAM	<b>DVB-C Re-Modulation</b>	
Input Level	-15~15dBmV	Constellation	
Bandwidth	6/7/8MHz	J.83 Annex A: 16/32/64/128/256QAM; J.83 Annex B: 64/256QAM	
Input Return Loss	7dB (typ.)	Symbol Rate	
<b>DVB-T Tuner Input</b>		3~7.2MS/s	
Connector Type	1×F type female 75Ω for Input, 1×F type female 75Ω for loop through output	I/Q Amplitude Error	
Input Frequency Range	174~230MHz (VHF); 470~860MHz (UHF)	< 0.3%	
Input Level	-20~-70dBm	I/Q Phase Error	
Constellation	QPSK, 16-QAM, 64-QAM	< 0.3°	
Carrier Bandwidth	6/7/8 MHz	Phase jitter	
FTT Mode	2K/8K	< 0.5°RMS	
Guard Interval	1/4, 1/8, 1/16, 1/32	MER	
FEC Code Rate	1/2, 2/3, 3/4, 5/6, 7/8	> 35dB	
<b>ASI Input</b>		<b>DVB-T Re-Modulation</b>	
Connector Type	1×BNC Female, 75Ω	Constellation	
Standard	DVB-ASI, EN50083-9	QPSK/16QAM/64QAM	
Input Bit Rate	≤ 216Mb/s	Bandwidth	
		5/6/7/8MHz	
		FFT Mode	
		2K	
		Guard Interval	
		1/4, 1/8, 1/16, 1/32	
		Code Rate	
		1/2, 2/3, 3/4, 5/6, 7/8	
		MER	
		>36dB	
		<b>RF Output</b>	
		Connector Type	
		F type female, 75Ω	
		Output Frequency Range	
		48~860MHz agile, step by 10 KHz	
		Output Level	
		97~110dBμV, step by 1dBμV	
		Spurious Rejection	
		55dB (typ.)	
		Output Return Loss	
		12dB (typ.)	
		<b>Control &amp; Monitoring</b>	
		Connector Type	
		1×RJ45, 10/100M, for equipment IP Control	
		Remote Control	
		SNMP, HTTP Web, Proprietary HDMS Network System Management Software	
		Local Control	
		Handheld Programmer Unit	
		Software Upgrade	
		FTP loader	

Block Diagram



Order Information

Interface	Model	DMM-1300TM-xx							
		1300TM-S2C	1300TM-CC	1300TM-TC	1300TM-AC	1300TM-S2T	1300TM-CT	1300TM-TT	1300TM-AT
Tuner		-S2/S	-C	-T		-S2/S	-C	-T	
ASI Input		•	•	•	•	•	•	•	•
Built-in Re-mux		•	•	•	•	•	•	•	•
ASI Output		×2	×2	×2	×2	×2	×2	×2	×2
QAM Modulation		•	•	•	•				
COFDM Modulation						•	•	•	•

Modulator / Transmodulator Module