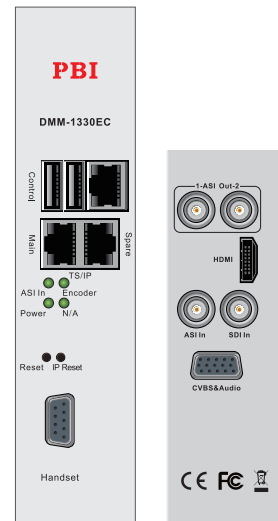


DMM-1330EC H.264 and MPEG-2 SD Encoder module

The DMM-1330EC SD encoder provides multiple input interfaces for complexity network environment. In addition to MPEG-2 SD encoding, the unit also supports H264 SD encoding. The advanced remux makes the after encoding stream more flexible to adapt different PSI/SI range requirement. Also, the complete output interfaces make the module more adaptive.

Main features

- H.264/AVC & MPEG-2 MP@ML
- SD-SDI, HDMI and Composite inputs
- VBR/CBR supported
- PSI/SI Editing supported
- Duplex IP, IPTV and Multiple MPTS outputs
- HTTP and SNMP supported



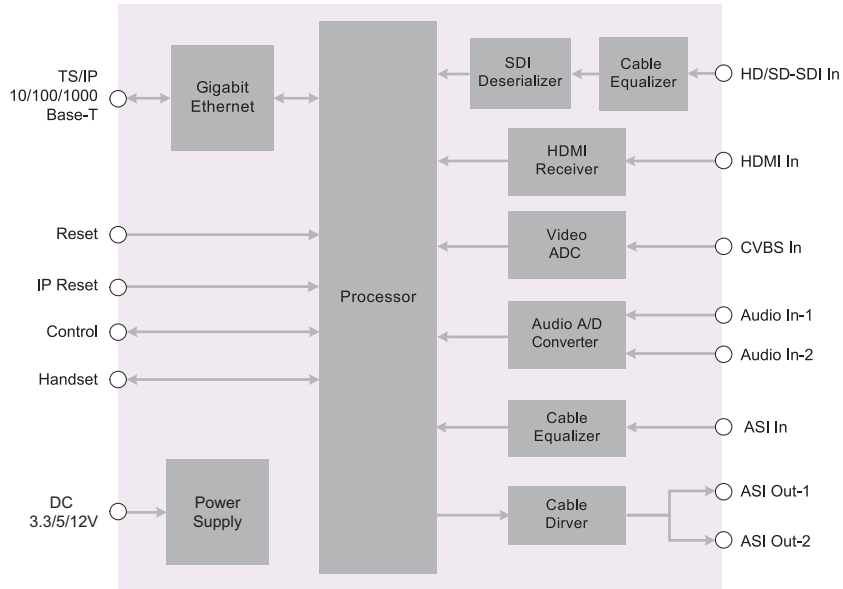
Specification

| Video Compression | |
|--|---|
| Interfaces | SD-SDI, HDMI, CVBS |
| Standard | H.264 / AVC / MPEG-2 MP@ML |
| Bandwidth | 300K~20Mbps |
| Video Resolutions & Recommended Video Encoding Bit Rates | 480i (720 × 480) @ 29.97Hz: SMPTE656M: 600K~8Mb/s 576i (720 × 576) @ 25Hz: SMPTE656M: 600K~8Mb/s |
| Ratio | 4:3/16:9 |
| Audio Compression | |
| Audio1 | SDI/HDMI embedded audio Analog Left/Right AES/EBU |
| Audio2 | SDI/HDMI embedded Analog Left/Right |
| Standard | MPEG1 Layer II MPEG-2/4 AAC-LC/HE-AAC (V1, V2) |
| Compression Standard | MPEG1 Layer II: 64~384Kb/s (Stereo), 32~192Kb/s (Mono) MPEG2/4 AAC-LC: 48~512Kb/s (Stereo) 24~256Kb/s (Mono) MPEG2/4HE-AAC (V1, V2): 32~256Kb/s (Stereo), 16~128Kb/s (Mono) |
| Sample rate | 48KHz |
| ASI Input | |
| Interface | 75Ω, BNC Female×1 |
| Maximum bandwidth | 100 Mb/s |
| Data type | Byte |
| Packet length | 188/204 Bytes |
| Power level | 200 ~ 880mVp-p |
| ASI Output | |
| Interface | 75Ω, BNC Female×1 |
| Data type | Byte |
| Packet length | 188/204 |
| Power Level | 800±80mV |

| TS/IP Duplex | |
|-------------------------|---|
| Standard | IEEE 802.3, 10/100/1000 Base-T |
| Bandwidth | 160Mb/s (Input 80Mb/s, Output 80Mbps) |
| Data protocol | UDP/RTP |
| IGMP | v2/v3 |
| TS/IP IPTV/Multiple DVB | |
| TS/IP Duplex | IEEE 802.3, 10/100/1000 Base-T |
| Bandwidth | 200Mb/s |
| Data protocol | UDP/RTP |
| IGMP | v2/v3 |
| Rear panel | |
| ASI in | 1×ASI BNC Female75Ω |
| SDI in | 1×SD SDI BNC Female 75Ω |
| HDMI in | 1×HDMI |
| CVBS& Audio L/R in | D-Sub15 |
| Audio2 in | D-Sub15 |
| ASI Out | 2×ASI (Mirror) BNC Female 75Ω |
| Front panel | |
| Control | RJ-45, 10/100 Base-T |
| TS/IP | 2× GbE(Mirror), RJ-45, 10/100/1000 Base-T |
| LED | 3× LED |
| IP Reset | Management IP reset |
| Reset | Unit reset |
| Handset | DB-15 control unit interface |
| Physical | |
| Voltage | DMM-1100/DMM-210MF (AC90~260V 50/60Hz) |
| Operation temperature | 0~45°C |
| Storage temperature | -10~60°C |
| Humidity | 10~90%, Non-condensed |

Block Diagram

DMM-1330EC Functional Block Diagram



Order Information

| Interface | | Model | | | |
|-----------|---------|---------------|-----|-----|-----|
| | | DMM-1330EC-XX | | | |
| | | -30 | -32 | -40 | -42 |
| Input | HDMI | • | • | • | • |
| | CVBS | • | • | • | • |
| | Audio 1 | • | • | • | • |
| | Audio 2 | | • | | • |
| | SDI | • | • | • | • |
| | ASI | • | • | • | • |
| Output | ASI x2 | • | • | • | • |
| | GbE | | | • | • |
| | Control | • | • | • | • |
| | RS-232 | • | • | • | • |