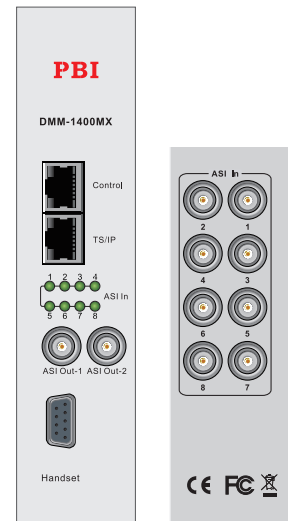


DMM-1400MX Re-multiplexer module

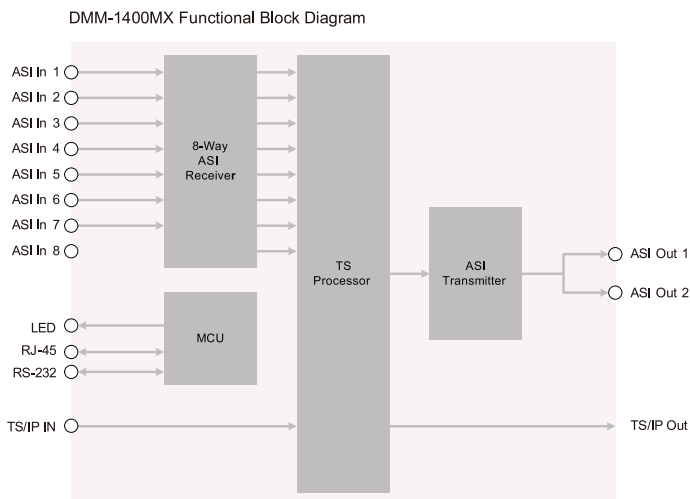
- 8-way SPTS or MPTS ASI inputs
- Redundant ASI outputs
- Gigabit Ethernet for TS over IP Output
- PSI/SI table regeneration, NIT, EIT and SDT edition, LCN Edition and Re-generation
- Remote Control and Supervision by SNMP and Proprietary HDMS software
- On Site software update through IP

Specification

ASI Input	
Connector Type	8×BNC Female, 75Ω
Input Bit Rate	≤ 216Mb/s
Data transmission mode	BYTE or BURST mode auto-detection
Packet Length	188 /204 bytes, auto-detection
ASI Output	
Connector Type	2×BNC Female, 75Ω
Output bit rate	≤ 216Mb/s
Data transmission mode	Byte
Packet Length	188 or 204 Bytes
Signal Level	800mVpp±10%
PSI/SI generating	PAT, PMT, SDT, CAT, NIT, EIT Actual P/F, EIT Schedule
Control & Monitoring	
Connector Type	1×RJ45, 10/100M, for equipment IP Control
Remote Control	SNMP, Proprietary HDMS network Management Software
Local Control	Handheld Programmer Unit
Software Upgrade	FTP loader
TS over IP	
Connector Type	1×RJ-45, 100/1000 Base-T for TS/IP
Effective Bit Rate	80Mb/s for 1000 Base-T
Protocol	UDP / RTP, Multicast / Unicast, IGMPv2, ARP



Block Diagram



Order Information

Interface	Model	DMM-1400MX-30	DMM-1400MX-40
ASI In		x8	x8
ASI Out		x2	x2
TS/IP(GbE)			•
TS/IP IN			•*
TS/IP Out			•

*The 8th ASI Input is not available when TS/IP Input is enabled