

DMM-2410D Series Professional Quad Demodulator module

The DMM-2410D professional Quad Demodulator provides operators an ideal solution for multiple channels receiving and remultiplexing operations. Equipped with 4 independent tuners and 1 TS over IP inputs, DMM-2410D ensures compatibility with all transmission media, such as DVB-S2/S/T/C and so on. The DMM-2410D's remultiplexing capabilities enable the creation of new transport streams that are subsets of the original inputted stream. Customized services may be output as multiple SPTS or MPTS over IP, as well as over ASI. All these architectures make the DMM-2410D an ideal product for DTV signals receiving and demodulation.

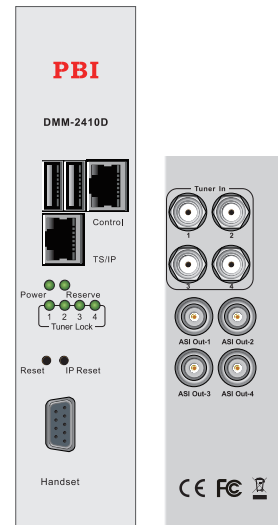
Main features

- Variety of tuner factory options DVB-S2/S/C/T and TS/IP
- Built-in TS re-multiplexer receives 4xTuner and TS/IP input
- Dynamic PMT detection and automatic updating
- UDP/RTP, Unicast/Multicast, and SPTS/MPTS over IP
- Remote Control and Supervision by SNMP, HTTP WEB and Proprietary HDMS software
- On Site software update through IP
- Configuration reload after power failure
- RSSI, received Eb/No & BER monitoring

Specification

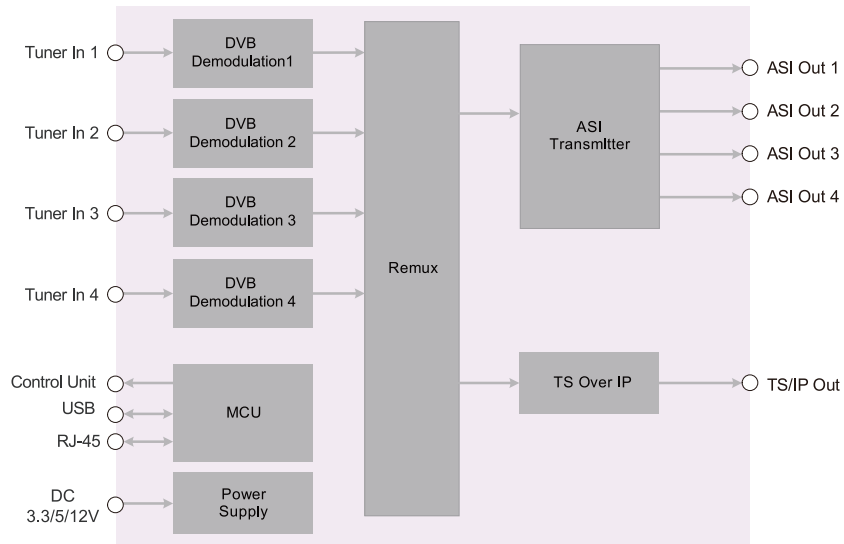
DVB-S/S2 Tuner Input	
Connector Type	4×F type female 75Ω for Input
Input Frequency Range	950~2150MHz
Input Level	-25~-65dBm
Symbol Rate	2~45MBaud
Roll-off Factor	DVB-S QPSK: 0.35 DVB-S2 8PSK: 0.35, 0.25, 0.2
FEC Code Rate	DVB-S QPSK: 1/2, 2/3, 3/4, 5/6, 7/8 DVB-S2 QPSK: 1/2, 3/5, 2/3, 3/4, 4/5, 5/6, 8/9, 9/10 DVB-S2 8PSK: 3/5, 2/3, 3/4, 5/6, 8/9, 9/10
Satellite Selection Command	DiSEqC 1.0
LNB Polarity Selection Voltage	0, 13V, 18V selectable
LNB Band Selection Tone	0/22KHz selectable
DVB-C Tuner Input	
Connector Type	4×F type female 75Ω
Input Frequency Range	48~860MHz
Input Level	45~75dBμV
Symbol Rate	1~7MBauds (ITU J.83 Annex A)
Constellation	16/32/64/128/256QAM
Bandwidth	6MHz/7MHz/8MHz
Return Loss	7dB
DVB-T Tuner Input	
Connector Type	4×F type female 75Ω
Input Frequency	104~862MHz (VHF/UHF)
Input Level	-20~-70dBm
Constellation	QPSK, 16QAM, 64QAM
Bandwidth	6MHz/7MHz/8MHz
FFT Mode	2K/8K
Guard Interval	1/4, 1/8, 1/16, 1/32

FEC Code Rate	1/2, 2/3, 3/4, 5/6, 7/8
Return Loss	7dB (typ.)
TS over IP Output	
Connector Type	1×RJ-45, 10/100 Base-T for TS/IP
Protocol	UDP/RTP, Multicast/Unicast, IGMP 2, V3
Effective Bit Rate	1. Multi DVB mode, 5 channels MPTS IP output, 600Mb/s 2. IPTV Mode, 128 channels SPTS IP output, for IP applications, no stuffing/null packet, non-DVB standard, 550Mb/s 3. DVB Full duplex, 1 MPTS in and out, 80Mb/s
ASI Output	
Connector Type	2 x BNC female, 75Ω
Standard	DVB-ASI, EN50083-9
Output Bit Rate	≤108Mb/s
Control & Monitoring	
Connector Type	1×RJ-45, 10/100 Base-T, for equipment IP Control
Remote Control	SNMP, HTTP (Web Interface), Proprietary HDMS (Headend Device Management System)
Local Control	Handheld Programmer Unit
Software Upgrade	Embedded FTP loader and Telnet
Physical	
Power Supply	DC 3.3V/5V/12V
Power Consumption	15W
Weight	560g
Storage temperature	-10 to 55°C
Operating Humidity	10~90%, non-condensed



Block Diagram

DMM-2410D Function Block Diagram



Order Information

Interface	Model	DMM-2410D-S2	DMM-2410D-T
Tuner Input	DVB-S/S2	x4	
	DVB-C/T		x4
Output	ASI	x4	x4
	TS/IP	•	•